

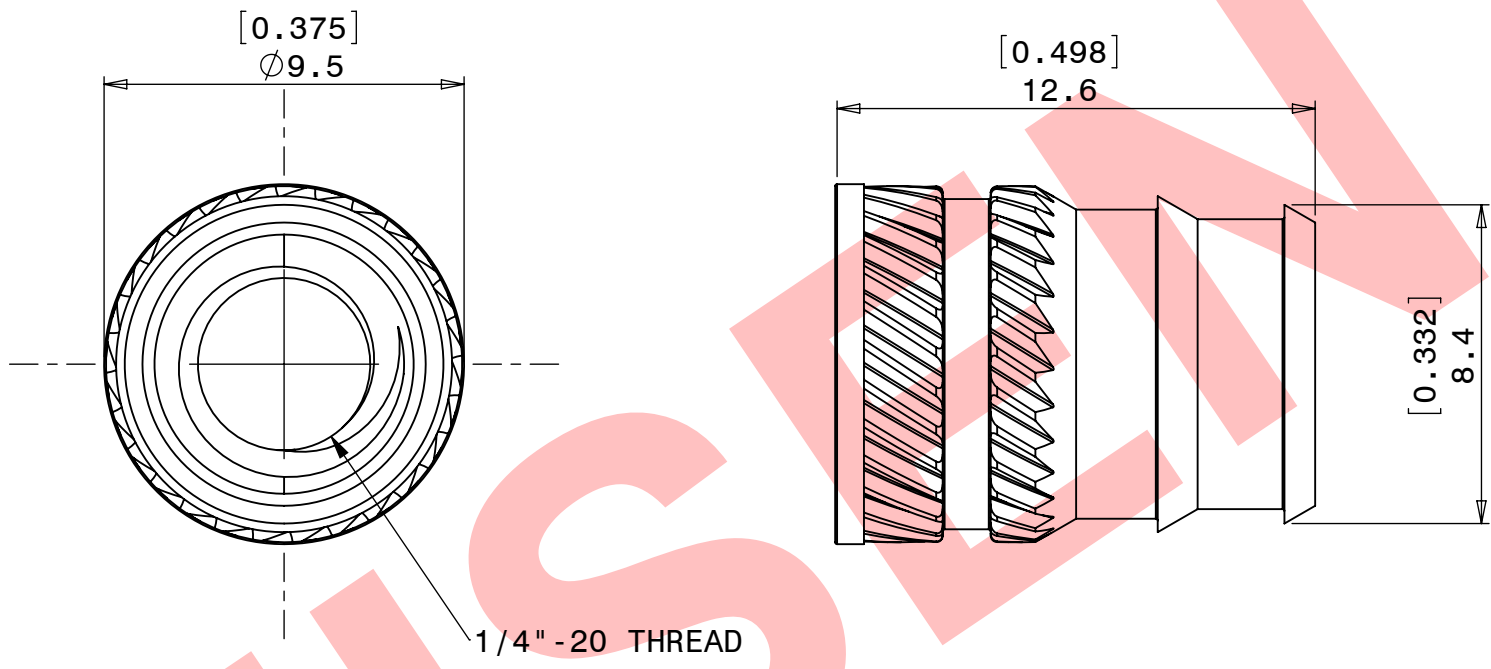
8 7 6 5 4 3 2 1

D

C

B

A



EISEN



805103-02

NOTES:

- 1. FOR MIN. MATL THK 0.53 INCH / 13.5 MM
- 2. FOR HOLE DIA 0.321 INCH / 8.9MM TAPER 8°



LANSING, MICHIGAN 48911, USA
<http://www.eisennet.com>

Information in this drawing
 is provided for reference only

DWG NO. **805104-02**

1/4-20 x 0.5
 BRASS THREADED
 INSERT FOR PLASTIC

8 7 6 5 4 3 2 1