

8 7 6 5 4 3 2 1

D

C

B

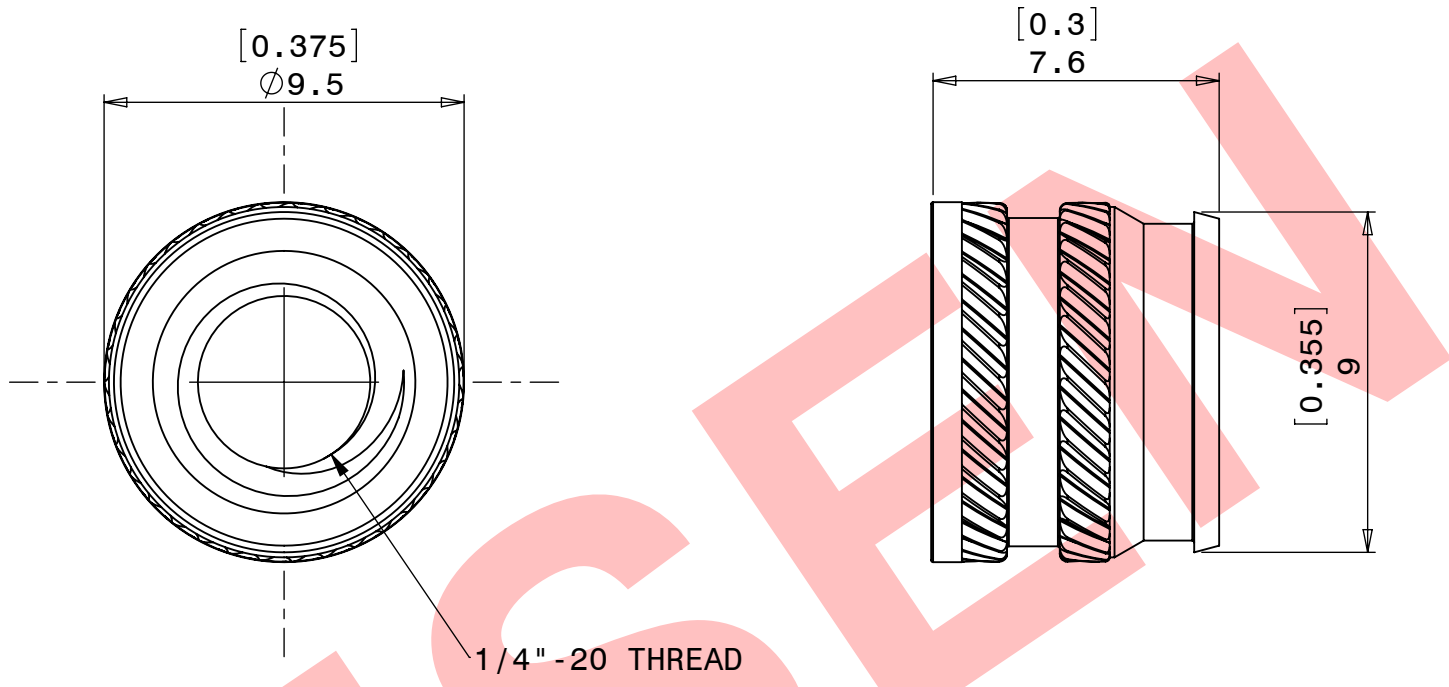
A

D

C

B

A



EISEN

NOTES:

- 1. FOR MIN. MATL THK 0.33 INCH / 8.4 MM
- 2. FOR HOLE DIA 0.349 INCH / 8.9MM TAPER 8°



LANSING, MICHIGAN 48911, USA  
<http://www.eisennet.com>

Information in this drawing is provided for reference only

DWG NO. 805104-01

1/4-20 x 0.3  
BRASS THREADED  
INSERT FOR PLASTIC



8 7 6 5 4 3 2 1