

8 7 6 5 4 3 2 1

D

D

C

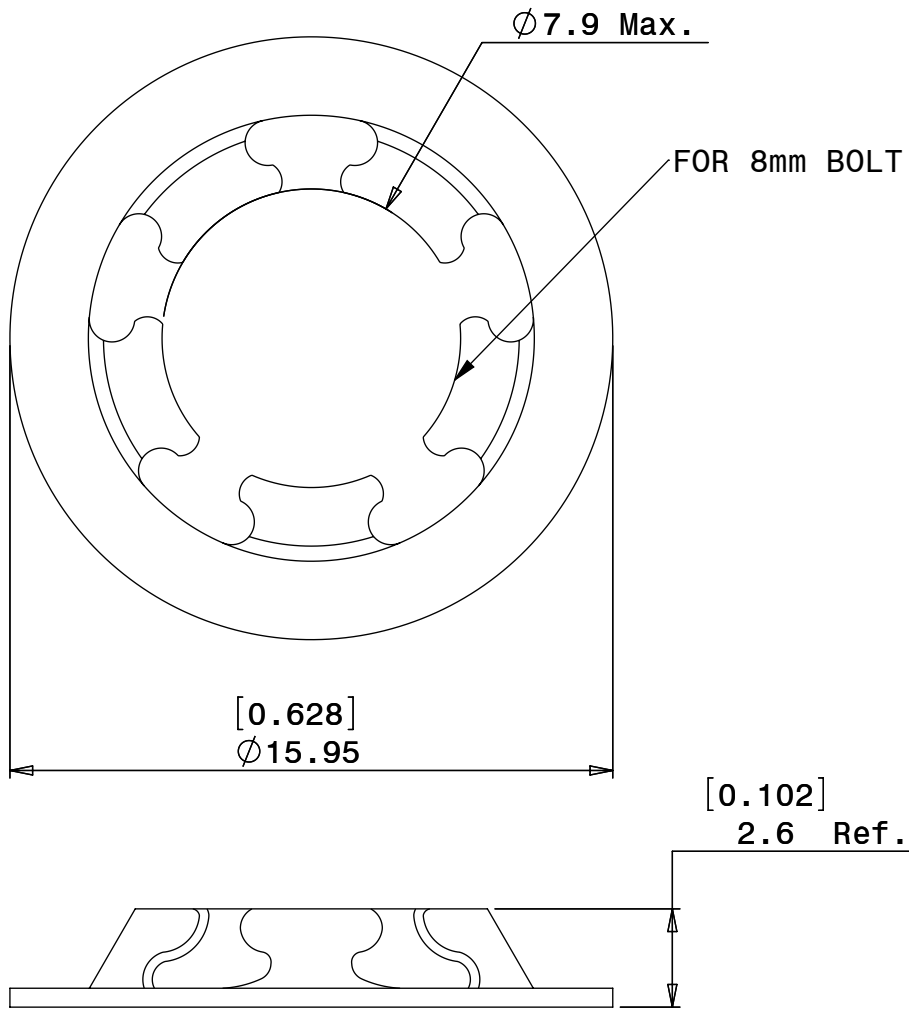
C

B

B


A

A



NOTES:

- 1. FINISH: CLEAR TRIV

 LANSING, MICHIGAN 48911, USA http://www.eisennet.com	DWG NO. 504300
	PUSH NUT 8mm
Information in this drawing is provided for reference only	

8 7 6 5 4 3 2 1