

8 7 6 5 4 3 2 1

D

D

C

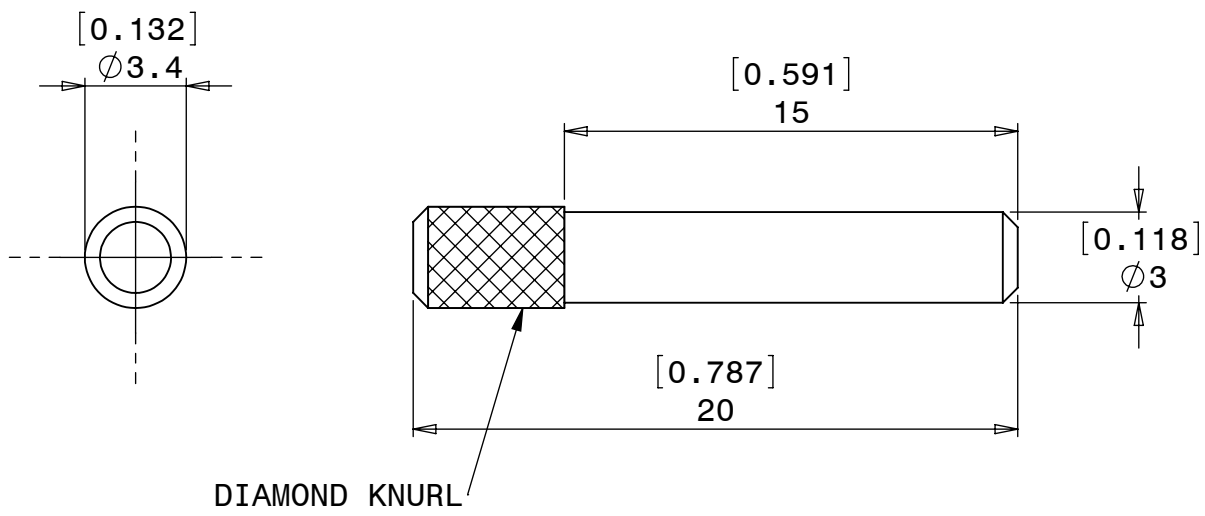
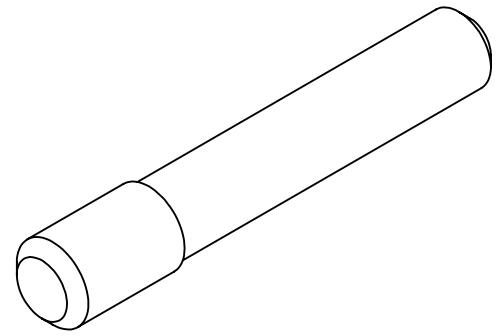
C

B

B

A

A



NOTES:

- 1. FINISH: ZINC PLATED



LANSING, MICHIGAN 48911, USA
<http://www.eisennet.com>

Information in this drawing
 is provided for reference only

DWG NO. **504500**

SHAFT PAWL

8 7 6 5 4 3 2 1