

8 7 6 5 4 3 2 1

D

D

C

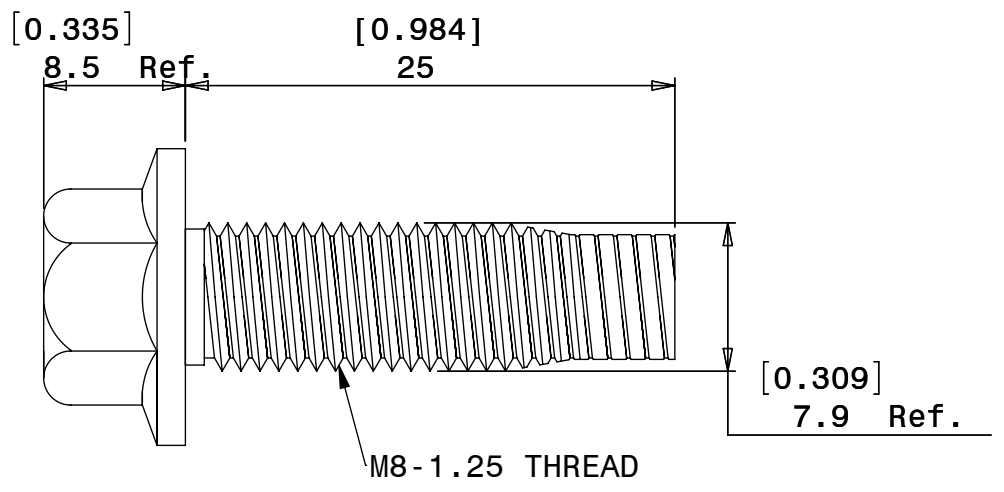
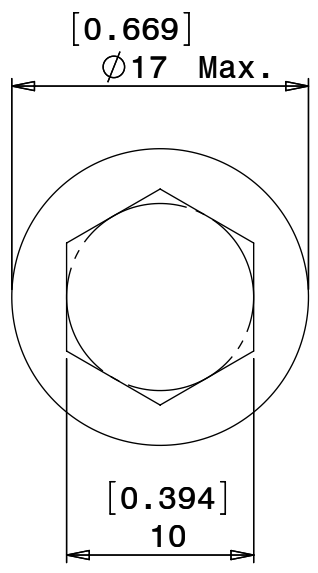
C

B

B

A

A



NOTES:  
 1. FINISH: DACROMET



LANSING, MICHIGAN 48911, USA  
<http://www.eisennet.com>

Information in this drawing  
 is provided for reference only

DWG NO. **503100**

HEX FLG HD BOLT GR8.8

8 7 6 5 4 3 2 1