

8 7 6 5 4 3 2 1

D

D

C

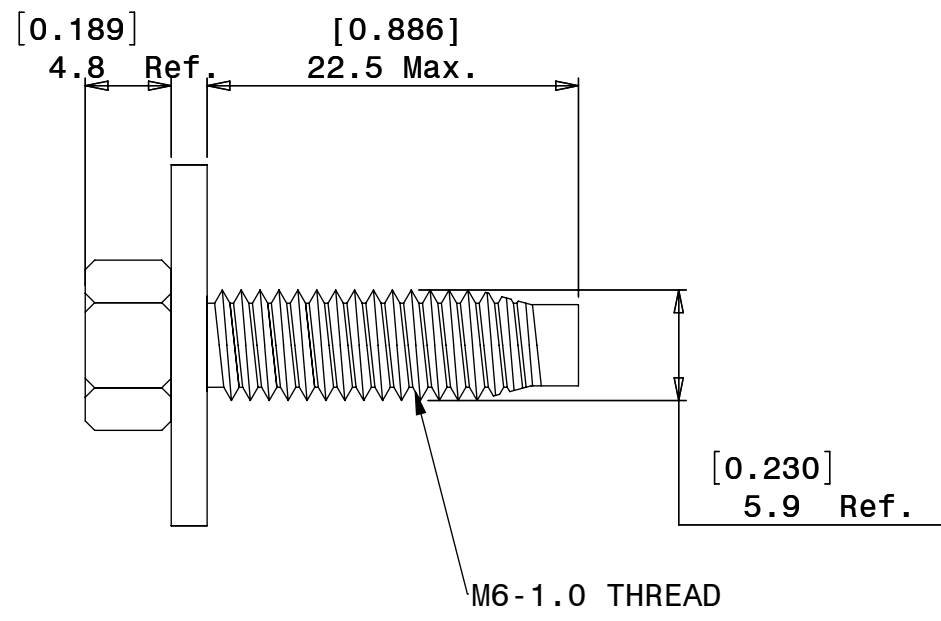
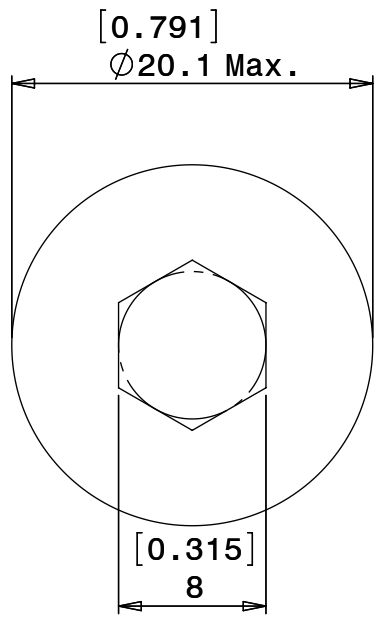
C

B


B

A

A



NOTES:
1. FINISH: DACROMET

 LANSING, MICHIGAN 48911, USA http://www.eisennet.com	DWG NO. 503000
	HEX HD PLT W/ WASHER BOLT GR8.8
Information in this drawing is provided for reference only	

8 7 6 5 4 3 2 1