

8 7 6 5 4 3 2 1

D

D

C

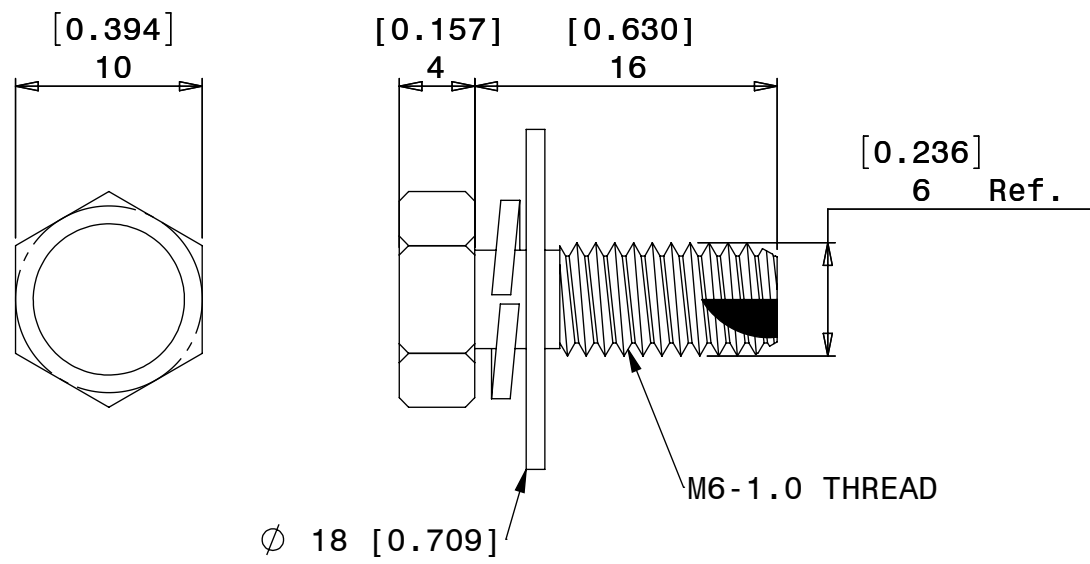
C

B

B

A

A



NOTES

1. FINISH: ZINC TRIVALENT CLEAR ROHS



LANSING, MICHIGAN 48911, USA
<http://www.eisennet.com>

Information in this drawing
is provided for reference only

DWG NO. 502600

HEX HD SEMS W/ LOCK
AND FLAT WASHER BOLT
CL8.8

8 7 6 5 4 3 2 1