

8 7 6 5 4 3 2 1

D

D

C

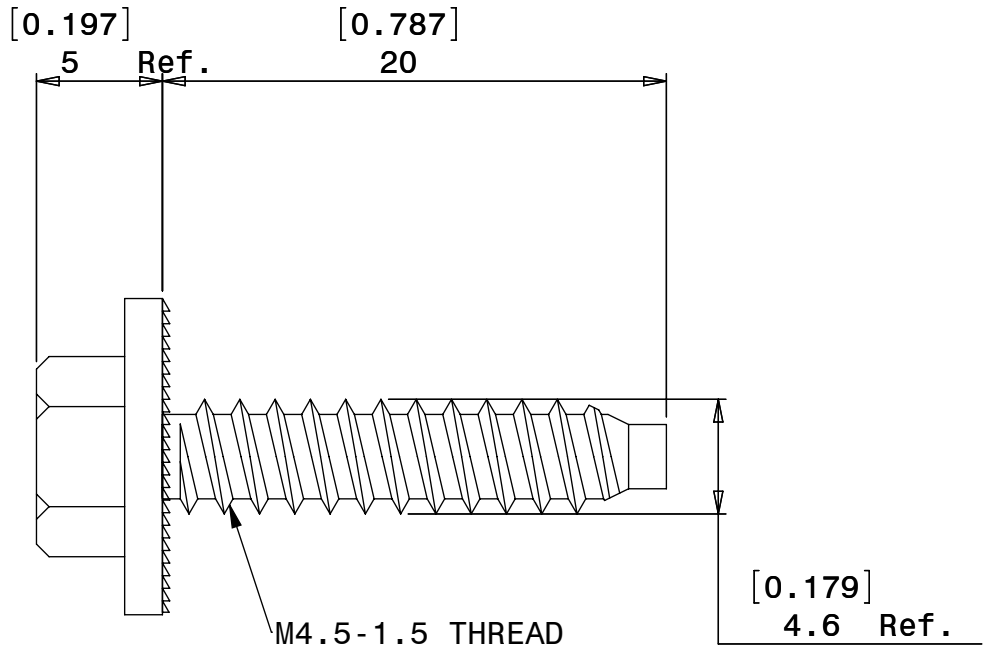
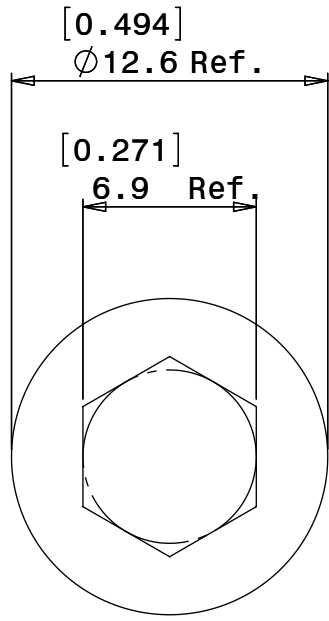
C

B

B


A

A



NOTES:

- 1. WITH SERRATIONS UNDER HEAD
- 2. FINISH: BLACK E-COAT

 LANSING, MICHIGAN 48911, USA <a href="http://www.eisennet.com">http://www.eisennet.com</a>	DWG NO. <b>501400</b>
	STEEL HEX HD TPLAST HITORQ SCREW
Information in this drawing is provided for reference only	

8 7 6 5 4 3 2 1