

8 7 6 5 4 3 2 1

D

D

C

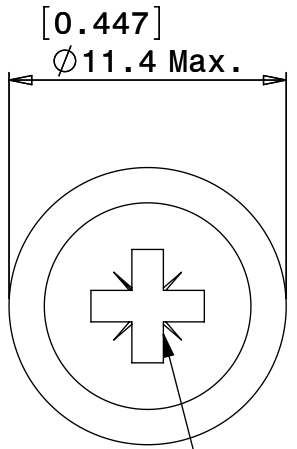
C

B

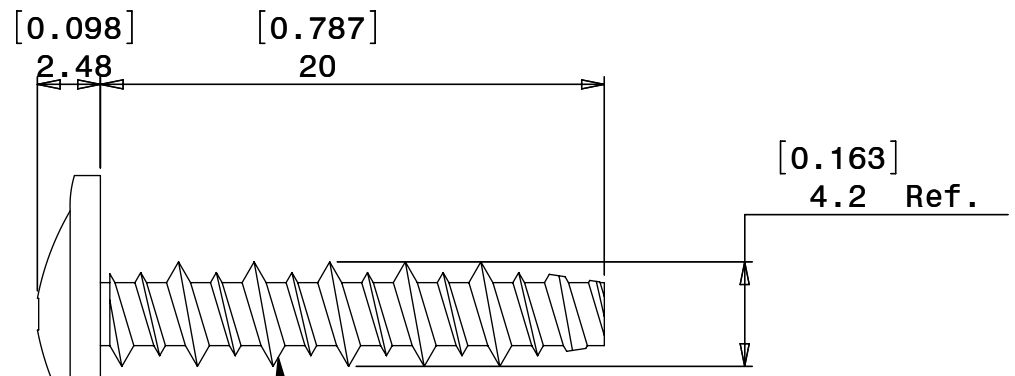
B

A

A



PHILIP #2 DRIVE



M4.2 x 1.41 THREAD

NOTES:
1. FINISH: BLACK E-COAT



LANSING, MICHIGAN 48911, USA
<http://www.eisennet.com>

Information in this drawing
is provided for reference only

DWG NO. 500520

TPLAST HI-LOW FLG HD
SCREW

8 7 6 5 4 3 2 1