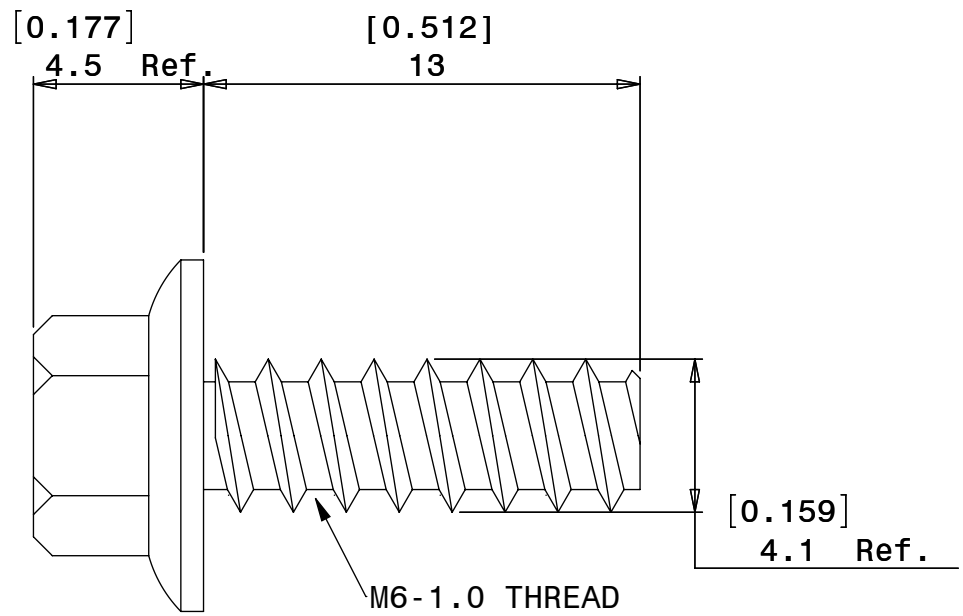
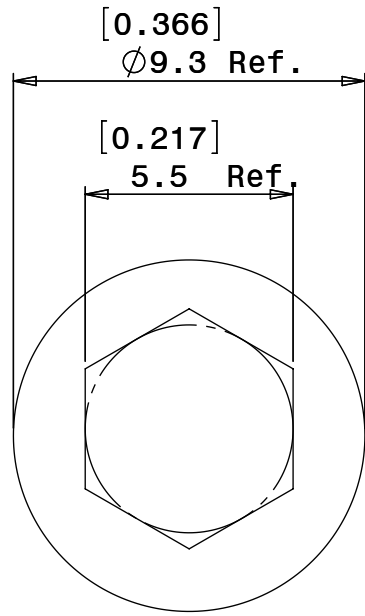


8 7 6 5 4 3 2 1

D

D



C

C

B


B

NOTES:
 1. FINISH: BLACK ECOAT

A

A

8 7 6 5 4 3 2 1

 LANSING, MICHIGAN 48911, USA http://www.eisennet.com	DWG NO. 501300
	TPLAST 30 HEX FLG HD SCREW
Information in this drawing is provided for reference only	