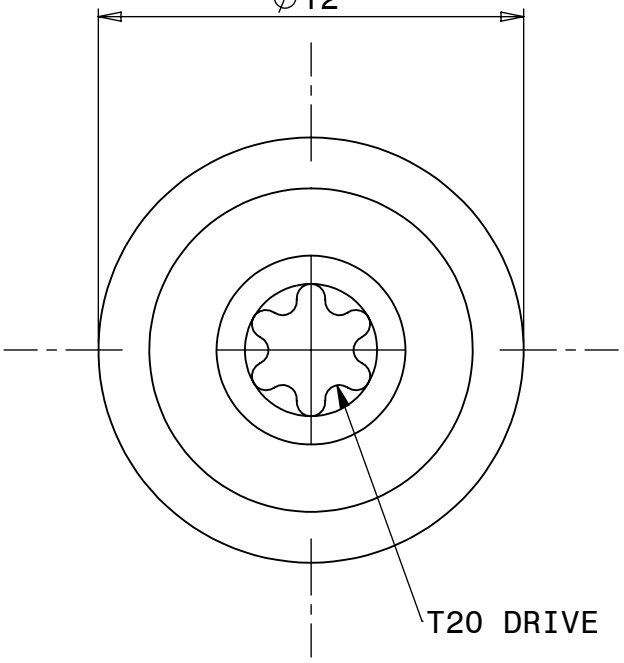


8 7 6 5 4 3 2 1

D

D

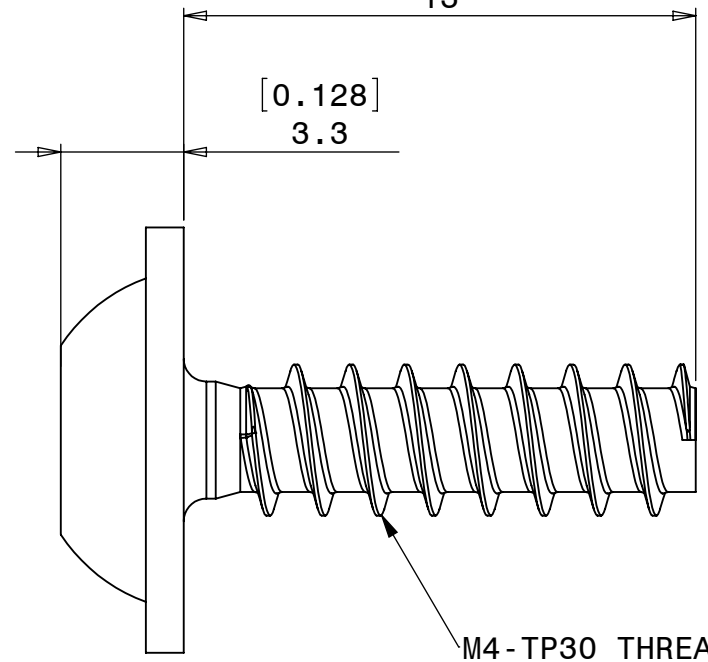
[0.472]
Ø12



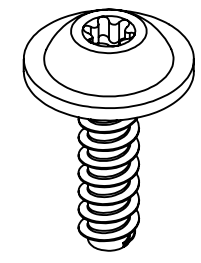
T20 DRIVE

[0.512]
13

[0.128]
3.3



M4-TP30 THREAD
FOR PLASTIC



C

B

NOTES:

1. FINISH: ZINC CLEAR

B

A

A



LANSING, MICHIGAN 48911, USA
<http://www.eisennet.com>

Information in this drawing
is provided for reference only

DWG NO. 506513

SCREW M4-TP30 THREAD
PH 12.0 T20

8 7 6 5 4 3 2 1